

APPLICATION:

PRODUCT NAME:

SINGLE PEDAL CONTROL VALVE FLOOR MOUNT

JOB NAME:

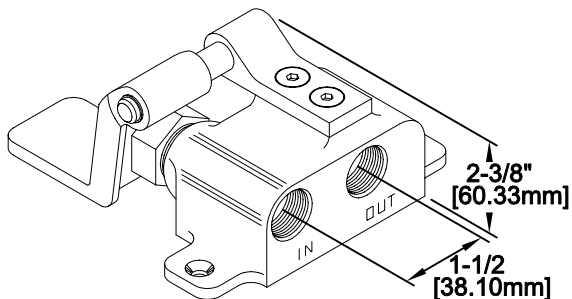
SPECIAL CONFIGURATION  
 CHECK BASE MODEL AND OPTIONS

QUANTITY:

ITEM NO.

MODEL:

3070



OPTIONS OR MODIFICATIONS:

- SUPPLY LINES (24" OR 36") CIRCLE LENGTH
- NIPPLES
- ELBOWS
- HANDLES (CROSS OR WRIST) CIRCLE STYLE
- VANDAL RESISTANT KIT
- OTHER \_\_\_\_\_

FEATURES

- \* PEDAL ANODIZED ALUMINUM
- \* CYLINDER CLOSURES WITH WATER FLOW
- \* POLISHED CHROME

RECOMMENDED SETTINGS

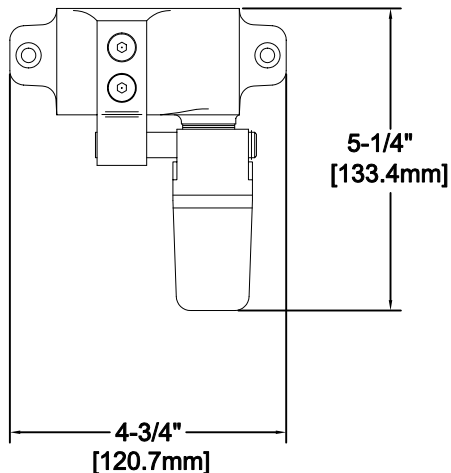
- \* 110°F AT 80 PSI

SYSTEM LIMITS

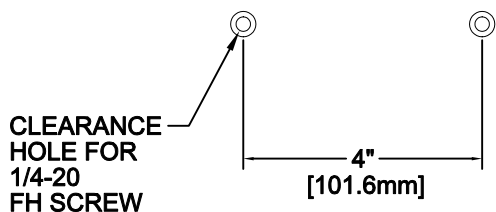
- \* TEMP: 40°F MIN. TO 140°F MAX.
- \* PRESSURE 200 PSI MAX. STATIC

SHIPPING WEIGHT

- \* 2.75 LBS



ROUGH-IN:



ANSI/A112.18.1M

# FISHER

FISHER MANUFACTURING COMPANY

TOLL FREE: 800-421-6162 - FAX: 800-832-8238

information@fisher-mfg.com - www.fisher-mfg.com